

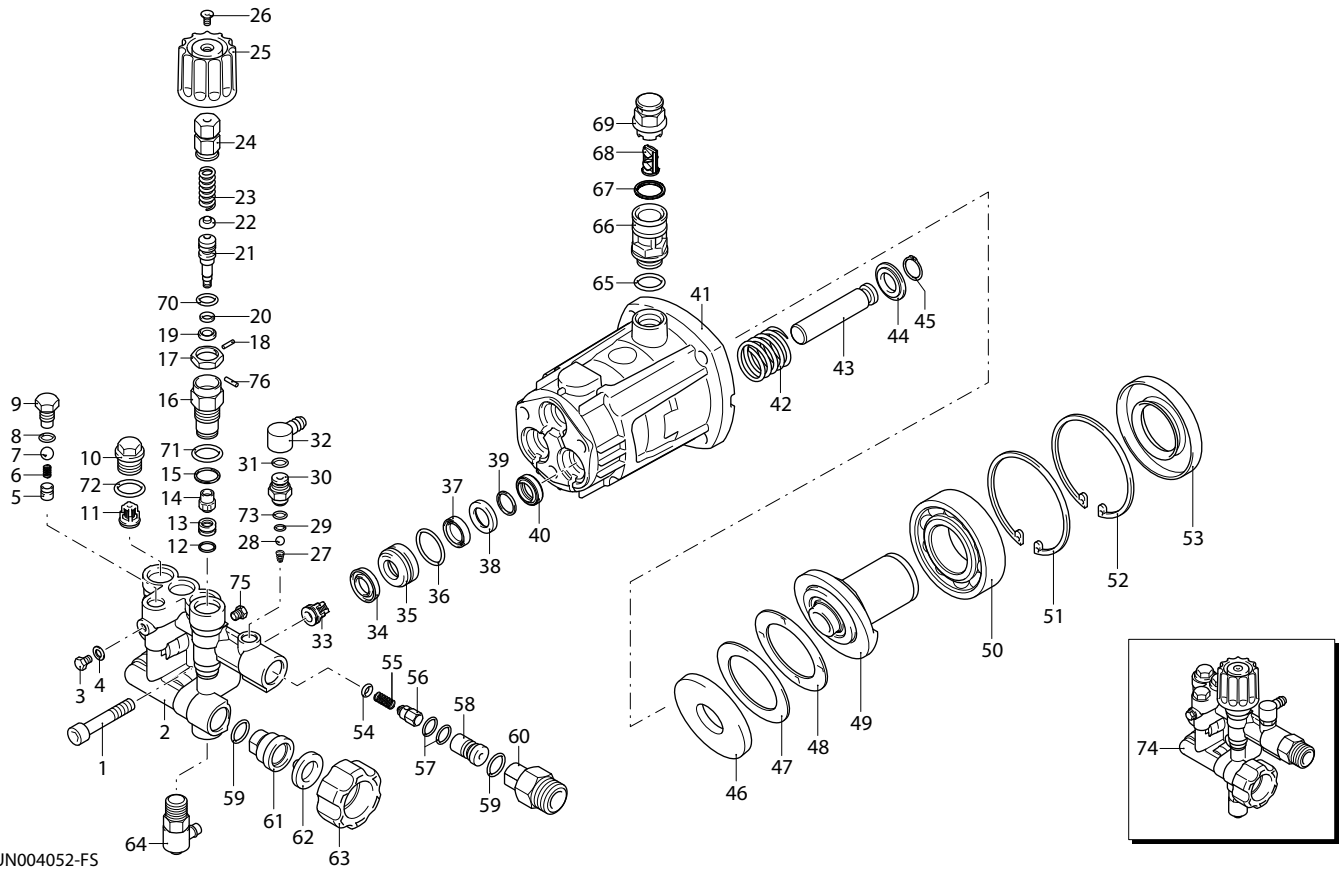
RXV

VERSION

D

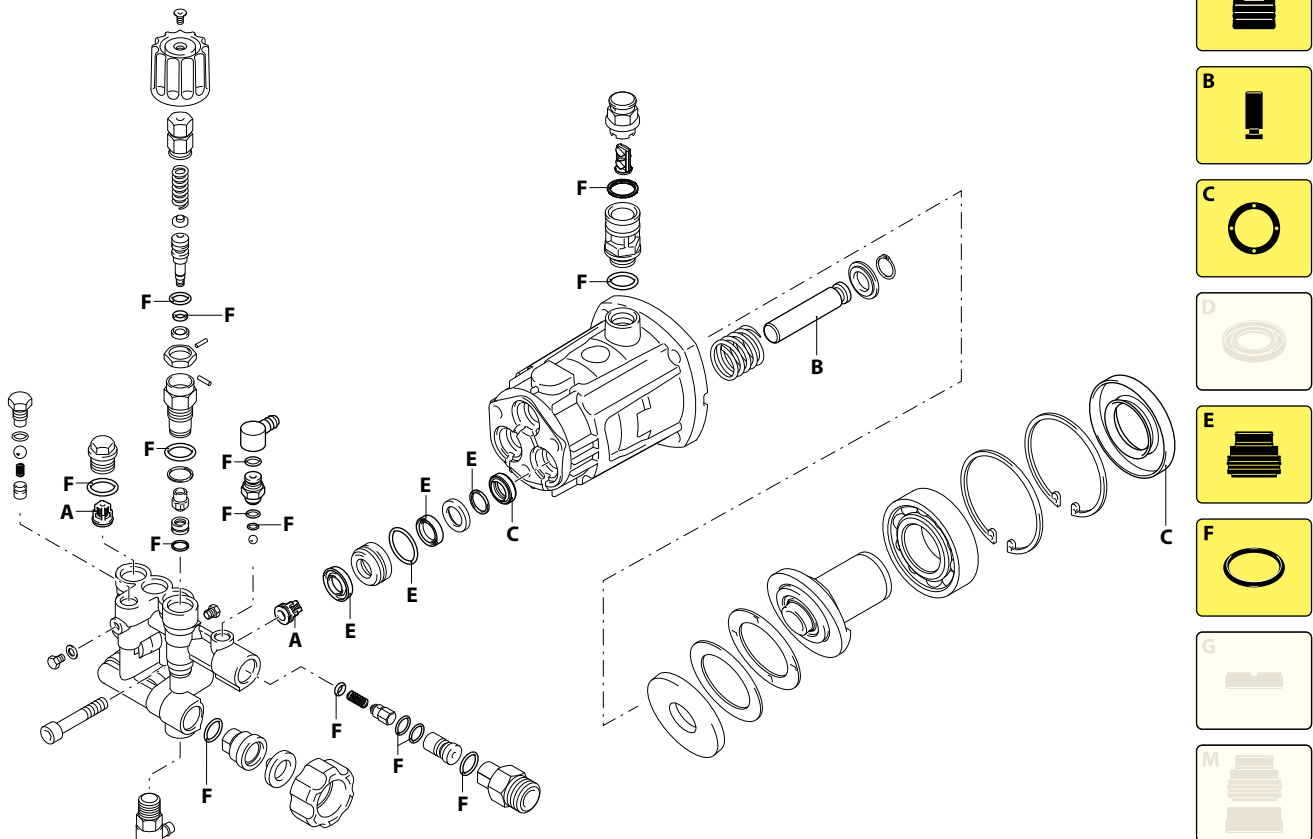
3400rpm

Ø 3/4"



UN004052-FS

PART KITS / 配套零件



UN004053-FS

3808600

380 Series

RXV 3400 rpm D version ø 3/4"

3 G30
3.5 G30



Pos. 序号	Cod. 编号	Description	描述	Qt 数量	Note 备注	Pos. 序号	Cod. 编号	Description	描述	Qt 数量	Note 备注
1	800220	Screw	TCEI M8x45	3	☉ C=25Nm	43	3800080	Piston	Ø 14	3	
2	3800020	Head	ottone	1		44	3800400	Wobble plate		3	
3	2840840	Plug		1	☒ C=4Nm	45	2360320	Ring	seeger Øe 14	3	
4	480650	Washer		1		46	1982760	Fifth wheel		1	
5	2840441	Seat		1		47	1982770	Fifth wheel		1	
6	2840450	Spring		1		48	1982780	Fifth wheel		1	
7	1060100	Ball		1		49	3800050	Wobble plate	14° marcato 1	1	○
8	600180	O-ring	Ø 7,66x1,78	1		50	3800030	Wobble plate	12° marcato 3	1	●
9	2840830	Screw		1	☉ C=10Nm	51	3800530	Bearing		1	
10	2841530	Plug		3	☉ C=25Nm	52	3800430	Ring	seeger Øi 72	1	sp 2
11	2849050	Complete valve		3		53	2841050	Ring	seeger Øi 72	1	sp 2.5
12	1470210	O-ring	Ø 9x1	1		54	1460431	O-ring	Ø 4x2,5	1	85Sh
13	2841080	Seat		1		55	3700210	Spring		1	
14	3800230	Piston	inferiore	1	☉ C=3Nm	56	3700220	Valve		1	
15	820510	O-ring	Ø 10,82x1,78	1		57	800560	O-ring	Ø 8,73x1,78	2	
16	3800210	Piston guide		1	☉ C=15Nm	58	3800280	Injector		1	
17	3800200	Nut		1		59	2840890	O-ring	Ø 14x2	2	
18	3800240	Screw	STEI M3x4	1	☉	60	2841120	Fitting		1	☉ C=25Nm
19	2760210	Ring	antiestrusione	1		61	2841230	Fitting		1	☉ C=25Nm
20	660190	O-ring	Ø 6,07x1,78	1		62	1266330	Filter		1	
21	3800220	Piston		1	☒ full	63	2841220	Fitting	3/4"NH	1	
22	1980220	Wobble plate		1		64	2761380	Valve		1	☉ C=16Nm
23	2760410	Spring		1	☐	65	740290	O-ring	Ø 14x1,78	1	
24	3800190	Screw		1		66	3800390	Spacer		1	C=9Nm
25	3800180	Knob		1		67	740290	O-ring	Ø 14x1,78	1	
26	3800250	Screw	TSEI M4x8	1	☉ C=3Nm	68	3800270	Cover		1	
27	1560520	Spring		1		69	3800260	Plug		1	C=9Nm
28	1250280	Ball		1		70	2260100	O-ring	Ø 6,02x2,62	1	
29	480480	O-ring	Ø 4,48x1,78	1		71	740290	O-ring	Ø 14x1,78	1	
30	2760610	Fitting		1	C=4Nm	72	2841520	O-ring	Ø 13,5x1,8	3	
31	480560	O-ring	Ø 6,75x1,78	1		73	1681420	O-ring	Ø 8x1	1	
32	2320180	Hose tail	Ø 7	1		74	3809201	Head assembly		1	
33	2849050	Complete valve		3		75	3400650	Plug		1	
34	3800350	Gasket	Ø 14	3	black	76	3800310	Screw	STEI M4x4	1	
35	3800130	Piston guide	anteriore Ø 14	3							
36	770590	O-ring	Ø 21,95x1,78	3							
37	3800160	Ring	antiestrusione	3							
38	3800170	Bushing		3							
39	3800150	Gasket		3							
40	3800111	Ring		3							
41	3800010	Pump body		1							
42	3800090	Spring		3							

PART KITS - 配套零件

A=KIT 42949 valves 单向阀		B=KIT 42950 pistons 柱塞		C=KIT 42951 oil seals 油封		E=KIT 42952 water seals 水封	
Pos. 序号	Q.ty 数量	Pos. 序号	Q.ty 数量	Pos. 序号	Q.ty 数量	Pos. 序号	Q.ty 数量
11	3	43	3	40	3	34	3
33	3			53	1	36	3
						37	3
						39	3

F=KIT 42953 O-Rings O型圈							
Pos. 序号	Q.ty 数量	Pos. 序号	Q.ty 数量	Pos. 序号	Q.ty 数量	Pos. 序号	Q.ty 数量
12	1	65	1				
20	1	67	1				
29	1	70	1				
31	1	71	1				
54	1	72	3				
57	2	73	1				
59	2						

SIMBOLOGIA - 标记

○ For / 用于 RXV 3 G30 D ● For / 用于 RXV 3.5 G30 D

- C Tightening torque tolerance 0÷10% | 拧紧力矩公差 0÷10%
- ☉ Screw with Loxeal 55-14 | 用 Loxeal 55-14 螺丝
- ☒ Lubricate with grease Molykote PG54 | 用 Molykote PG54 润滑
- ☐ Screw with Loxeal 83-55 | 用 Loxeal 83-55 螺丝
- ☉ Lubricate with grease Molykote G807 | 用 Molykote G807 润滑

Oil - 机油	
Type / 类型	Quantity / 数量
SAE 75W90	0,095 Kg